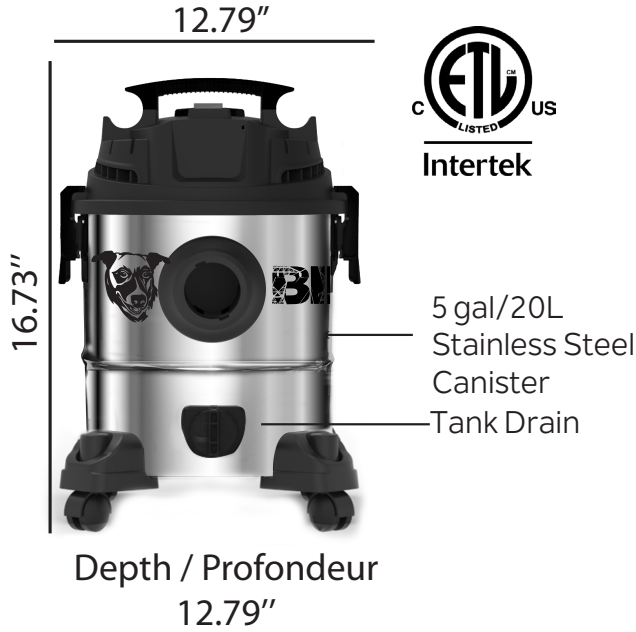


OVO Wet/Dry Vacuum

20L - 5 gal

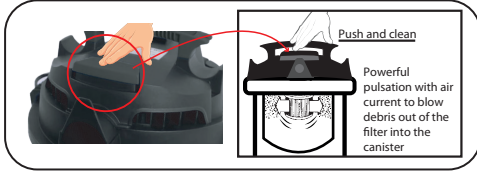
WD-512-SS-BIDZ



Technical information

HP	5 PEAK HP
Canister / Cuve	20L - 5 gal
CFM	63.5
AMP	10A
Tank Drain	Yes
Blower port	Yes
Power cord	8 ft
Hose included	8 ft Long 1.25" Diameter
Watts	1200
Sealed Pressure	68.5" Waterlift
Wet / Dry	Yes
Depth	325 mm / 12.79"
Height	475 mm / 16.73"
Width	325 mm / 12.79"
Disposable filtration bags	20L - 5 GAL
Cartridge filter	Yes

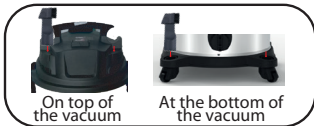
FEATURES



Filter auto-clean system



Power cable Storage Tab



On-board Accessory Storage



Blower port



Integrated vacuum hose storage

Included



QUESTIONS
E: info@myovo.net
T: 1(800)776-7891
www.bidzvac.com

